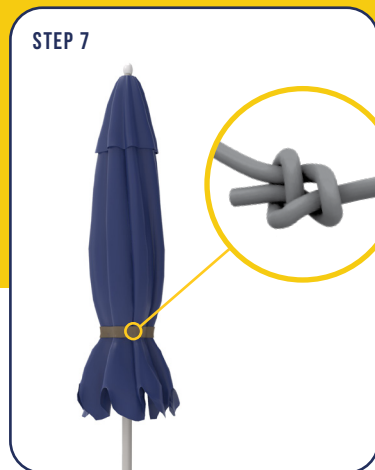
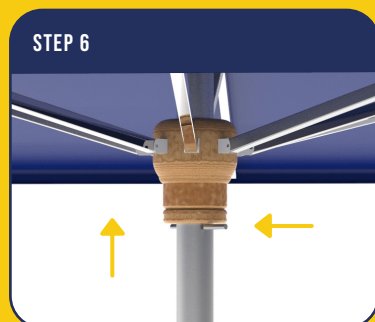
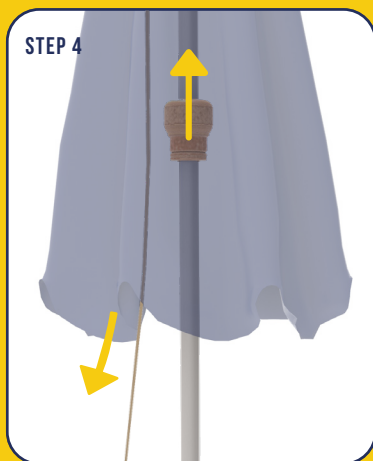
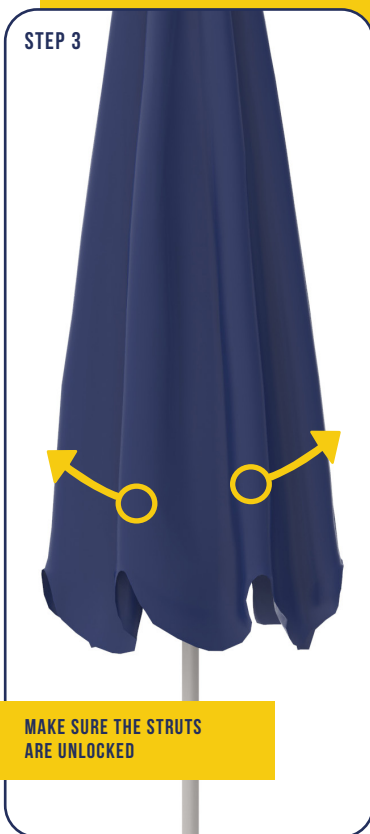
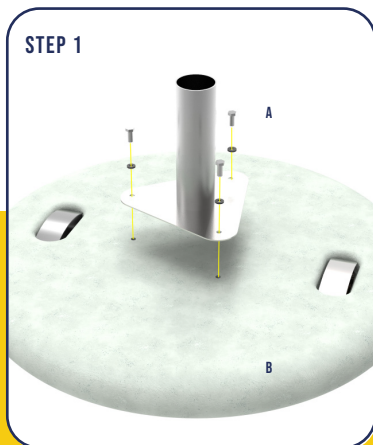
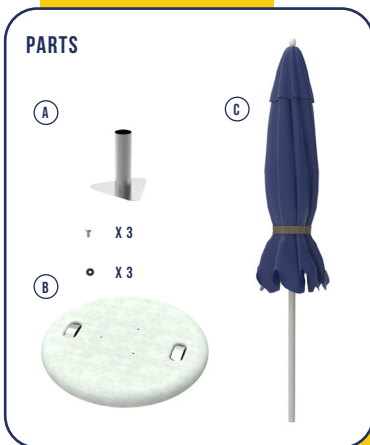




USER MANUAL

PLEASE READ THIS USER MANUAL
CAREFULLY BEFORE USING YOUR PARASOL.



BRANDS ON NV
DOORNPARK 57
B-9120 BEVEREN-WAAS
TEL.: +32 (0)3 710 66 00
BRANDS-ON.EU

MANUAL CLASSIC & ALUZONE

IMPORTANT !

- ! NEVER LEAVE YOUR PARASOL OPEN
- ! CLOSE YOUR PARASOL IN BAD WEATHER CONDITIONS.
- ! MAKE SURE THAT THE BASE USED FOR YOUR PARASOL COMPLIES WITH THE CONDITIONS OF USE.

CONTENTS OF THE BOX

- Your parasol.
- If purchased, a cover bag.
- A metal tube with triangular plate with a set of 3 bolts (40mm) and washers to fix the tube on the corresponding concrete base.
(If you have ordered the concrete base of the brand TRADEWINDS)

If one of these pieces is missing, please contact Brands On.

FIX YOUR PARASOL

We advise you to use the TRADEWINDS bases or stainless steel ground anchors. IT IS ESSENTIAL TO CHOOSE THE RIGHT BASE FOR YOUR PARASOL IN FUNCTION OF ITS USE AND THE WEATHER CONDITIONS.

CONCRETE BASE

The metal adapter (triangle) has to be attached to the concrete base by means of the washers and bolts (The plastic washers are placed above the triangle - step 1). Attach the triangle to the base first. FIXED IS FIXED. DO NOT OVERTIGHTEN THE BOLT.

Then put the closed parasol (pole) in the tube. Then tighten the star knob. This secures the parasol to the concrete base (step 2).

OPENING THE PARASOL

Now that the parasol is fixed into the base, it is ready to be opened. Untie the cord around the cloth and carefully pull the struts of the parasol apart to release them (step 3).

DO NOT FORCE IT! Once all ribs are released, pull the cord until the parasol is fully open, at least until one of the holes in the pole is visible under the crown (steps 4 and 5). A parasol is at its best when there is sufficient tension on the canvas. Then insert the safety pin in one of the holes (step 6).

CLOSING THE PARASOL

Lift the crown a little pulling the rope until the safety pin is free to be removed. Do not obstruct the closing of the parasol by any object. DO NOT LOSE THE ROPE, but GUIDE the closing of the parasol. Once the parasol is closed, it should still be kept securely closed by means of the cords on the canvas. A standard shoe lace knot will do. (Step 7)

WEATHER CONDITIONS

Brands On recommends the following weights:

- 25kg; for a 1.9 and 2.2 square and 2.6 hex
 - close the parasol at wind speeds of 25km/h
- 45kg; for a 3.2 hex and 3.2 oct
 - close the parasol at wind speeds of 40km/h
- 60kg; for a 2.8 and 3.5 square and 4 oct
 - close the parasol at wind speeds of 40km/h

Attention!

We are talking about gusts of wind! It's not about beaufort or other averages.

Close your parasol in case of strong winds. In case of stormy weather, store the parasol inside.

PARASOL MAINTENANCE

For a better protection, the heavy canvas of your parasol has been treated with Teflon (which makes the cloth water- and dirt-repellent). If you wish to clean the cloth of your parasols, please place a protection sheet on the floor and put the parasol on its side in the open position.

Then clean the cloth with a brush and with water. In case the dirt does not come off, a mild detergent can be used. DO NOT USE AMMONIA-BASED DETERGENT, as this will damage the Teflon® layer.

STORAGE

Place the cover bag over the parasols, if necessary by using a stick or spare strut, and then close the cover using the zip. Make sure the canvas dry before using the cover bag.